

## Ball Check Valve

AW30/2

DN50 - DN350 (NBR)

PN 16

The Ball Check Valve is a simple virtually maintenance free sturdy valve.

### Technical Details

Face to Face in accordance to:

DIN 3202-1 F6 (EN 558-1 Series 48)

Maximum Working Pressure PFA:

16 bar / PN16

Working temperature depending on the material used:

NBR maximum +80°C

Flange Type:

EN 1092-2 pn10 & PN16

Coating:

300 µm FBE coating, external and internal - RAL5015

Installation:

Horizontal, piping level Vertical, when fluid flowing upwards

Application:

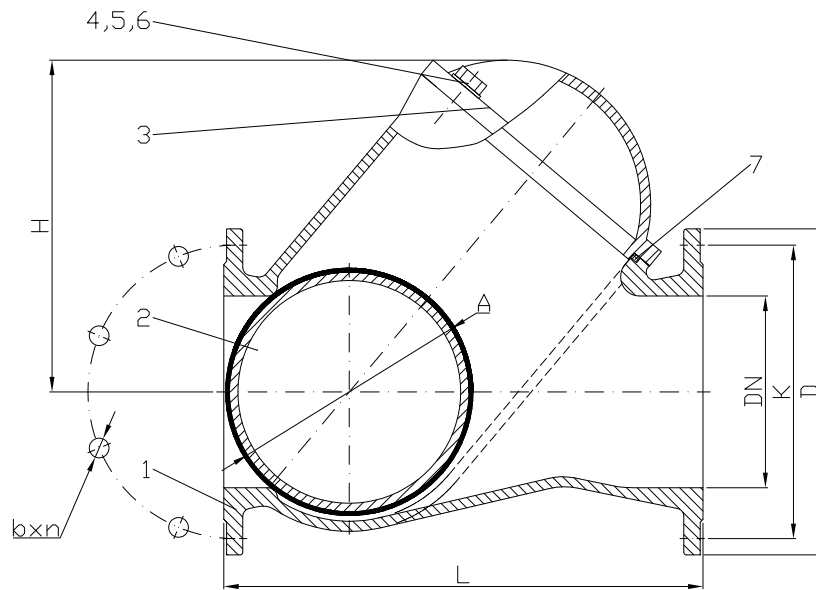
For industrial water, waste water and other neutral media - NBR.

EPDM rubber available on request.

### Design features

- Fully rubber coated ball
- Full top-entry access for easy on-line inspection and maintenance
- Fusion bonded epoxy coating, external and internal for corrosion-free life.





No	Part Name	Material
1	Body	Ductile Iron EN-GJS-500-7
2	Ball	Carbon Steel encapsulated in NBR rubber
3	Bonnet	Ductile Iron EN-GJS-500-7
4	Bolt	Stainless Steel X5CrNiMo17-12-2 / 1.4401 / 316
5	Nut	Stainless Steel X5CrNiMo17-12-2 / 1.4401 / 316
6	Washer	Stainless Steel X5CrNiMo17-12-2 / 1.4401 / 316
7	Gasket	Elastomer NBR

#### Dimension (mm & kg)

Group	DN	50	65	80	100	125	150	200	250	300	350
AW30/2	PN16	AC0045	AC0046	AC0047	AC0048	AC0049	AC0050	AC0051	AC0052	AC0053	AC0054
L		200	240	260	300	350	400	500	600	700	800
H		125	140	180	207	225	280	355	420	480	580
A		63	80	96	125	150	180	250	320	370	414
K	PN16 / PN10	125	145	160	180	210	240	295	355	410	470
b x n	PN16 / PN10	19x4	19x4	19x8	19x8	19x8	23x8	23x12	28x12	28x12	28x16
D		165	185	200	220	250	285	340	400	455	520
Weight	kg	9	11	13	20	32	42	74	138	200	310